



LPAUDIT

3750-K Electronic Entry Device and Dual-Handed Swingbolt Lock

INSTALLATION INSTRUCTIONS

The Quality System of LA GARD Inc. is ISO 9001 certified. In order to maintain this high quality standard and to ensure a problem free application, please read this guide thoroughly before mounting the LPAUDIT.

SAFEGUARDS FOR MOUNTING

LA GARD recommends the following:

- ① As soon as an electronic lock has been mounted, no more welding can be done on the safe.
- ② Keep metal dust, filings, etc. away from the lock.
- ③ Never remove lock cover.
- ④ Never oil, grease, lubricate or paint the lock.
- ⑤ Keep cables away from sharp edges and moving parts.
- ⑥ Never carry Keypads or Locks by holding on to the cable.
- ⑦ Use ALKALINE batteries only. (LA GARD recommends Eveready™ or Duracell™)

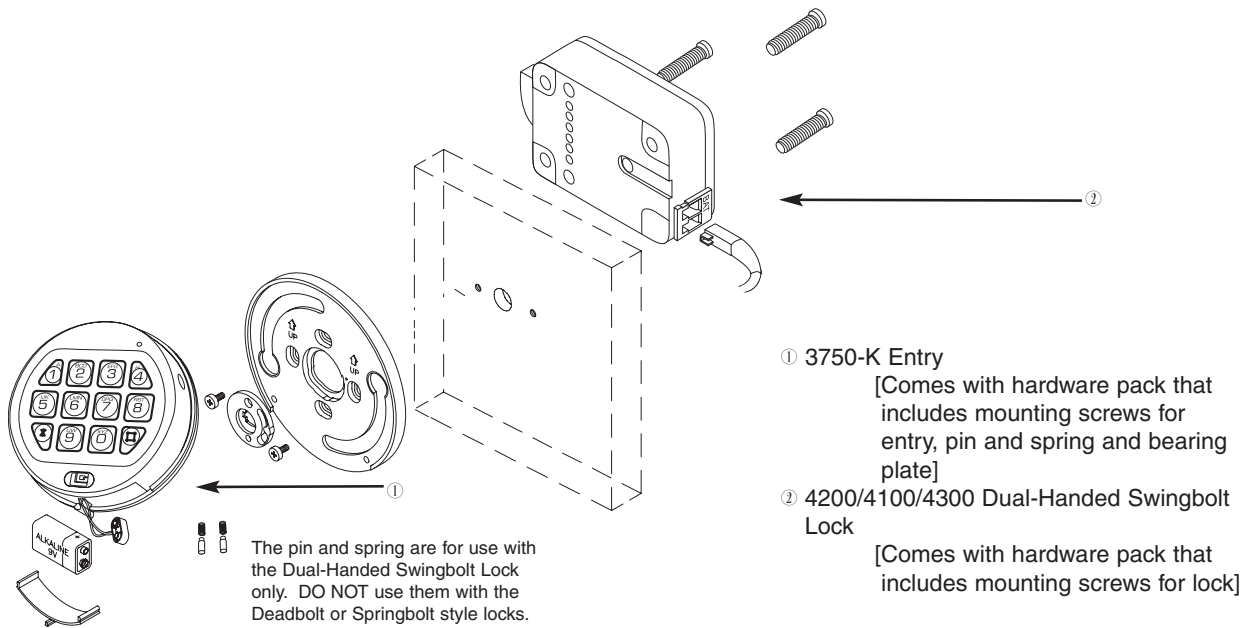


Figure 1

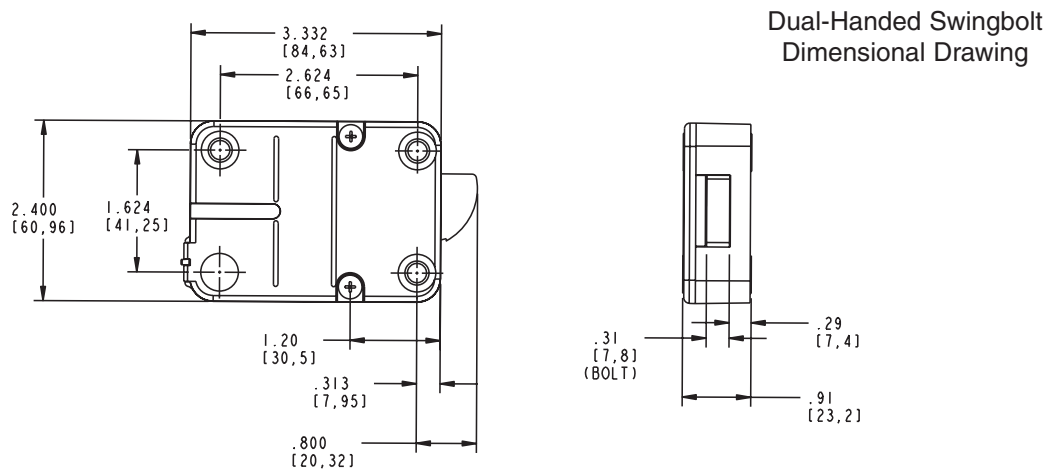


Figure 2

Preparation of the safe:

The holes necessary to mount the lock and entry device correspond with the standard dimensions for mechanical locks. The spindle hole must be deburred with no sharp edges.

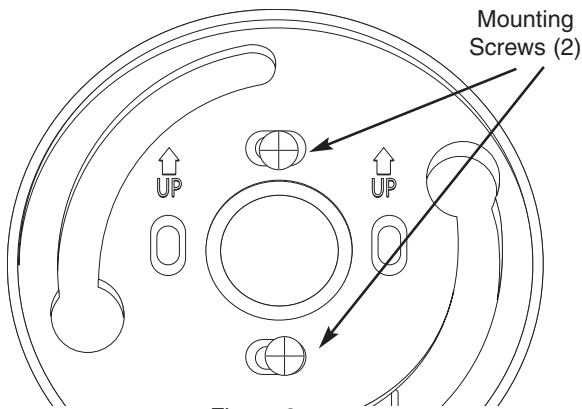


Figure 3

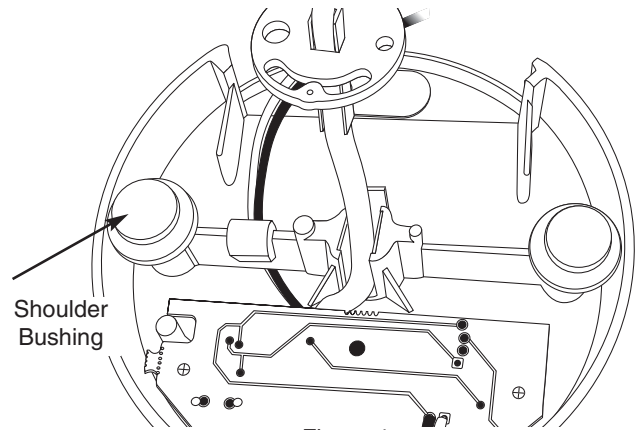


Figure 4

- ① Drill mounting holes for US 8-32 or M4 screws and a cable hole, see *Figure 1*.
Using the two (2) 8-32 mounting screws mount the dial plate (P/N 3752) onto the tapped holes on the door.
- ② The dial plate must be centered over the spindle hole. The dial plate should be mounted with the arrows in the up position.
 - Tapped holes on the door should be at 12:00 and 6:00 locations, see *Figure 3*.
- ③ Install the cable protector on the entry over the cable and install over the large and small pins on the housing.
 - It is important to make sure the cable will not rub on the dial plate after assembly, see *Figure 4*.

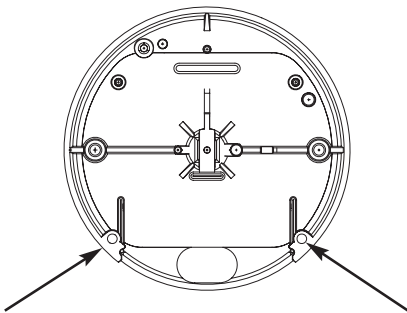


Figure 5

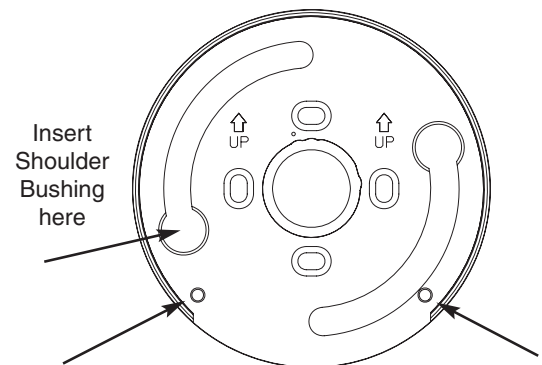


Figure 6

The 3750-K comes with two pin and spring assemblies in the hardware pak. Both should be used to ensure proper installation of the keypad.

- ④ Place the spring over the small end of the pin and put one assembly in each of the holes in the back of the keypad housing, near the battery opening, see *Figure 5*.
- ⑤ Feed the cable through the hole on the door.
- ⑥ Place the shoulder bushing (*Figure 4*) in the holes of the dial plate (*Figure 6*) and rotate the keypad so that the keypad is aligned correctly.
 - A click will be heard when the pin and springs snap into place in the two holes located on the dial plate, see *Figure 6*.
- ⑦ The keypad should be locked into place and should not move in either direction.

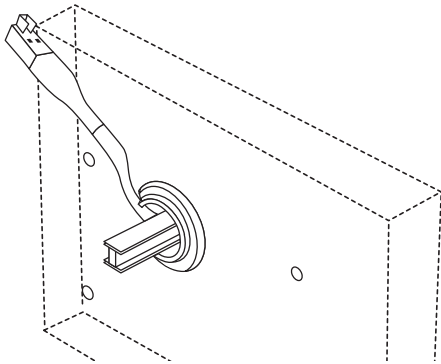


Figure 7

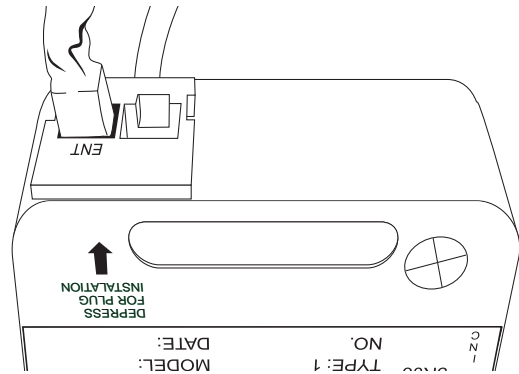


Figure 8

- ⑧ Install the cable clamp over the cable on the inside of the door **with the flat side facing the door**.
- ⑨ Slide down to the hole to protect the cable from rubbing on the edge of the hole.
- ⑩ Gently pull on the cable to assure that there is no excess cable in the hole that would rub on the metal door.
- ⑪ Route the cable on the notch of the cable clamp as shown, see *Figure 7*.
- ⑫ Press the snap connector toward the bottom of the lock.
- ⑬ Carefully insert the entry cable plug into the lock at the “ENT” position, see *Figure 8*.

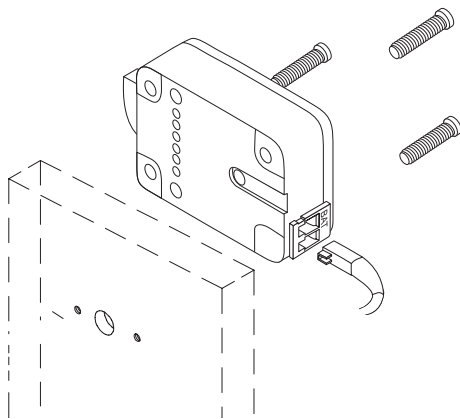


Figure 9

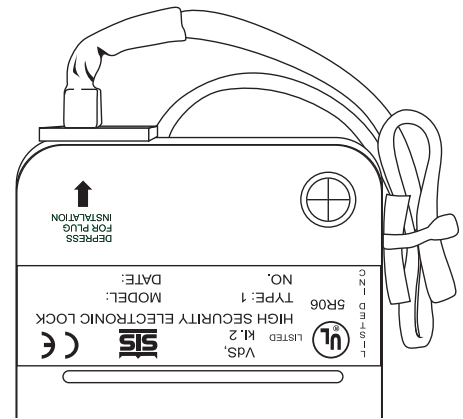


Figure 10

- ⑭ Using the three (3) mounting screws provided by the factory, screw down the lock to the mounting plate or door.
 - Make sure you do not pinch the wires, see *Figure 9*.
- ⑮ Secure entry cable with tywrap, making sure that any extra cable is in a safe position and cannot be damaged by any moving parts or sharp edges, see *Figure 10*.

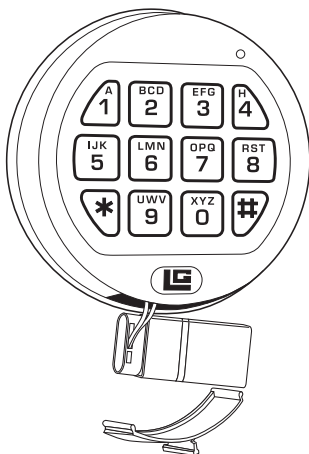


Figure 11

CHANGING YOUR BATTERY

- ① Remove black plastic battery compartment cover (located at the bottom of the keypad) by gently pulling downward on its handle.
- ② Allow the battery and its attached leads to drop down and out of the battery compartment. If it does not drop, gently pull on the battery until it drops out.
- ③ The connector is easily removed by unsnapping it from the two terminals on the top of the battery.

Never Pull on the Battery Leads

- ④ Connect a new 9-Volt Alkaline battery to the battery clip.
- ⑤ Gently push the battery and the leads completely up into the battery compartment.
- ⑥ Install the battery cover by placing one side of the cover in position first and then gently pressing the other side into place.