

COMMANDER[®]

ELECTRONIC ENTRY DEVICE



 **LAGARD[®]**
One Company... Endless Solutions

COMMANDER[®]

SPECIFICATIONS

3950-3 and 3950-5 COMMANDER

FEATURES

- Available in Satin Chrome, Brass and Black
- Available 3 and 5 Spoke Options
-Spokes Are User Supplied
- Outside Battery Compartment (*Located Under Keypad*)
- One User-Supplied 9V Alkaline Battery

3765-2 Dual-Handed Swingbolt (*LGBASIC*)

STANDARD FEATURES

- Manager Mode
-Manager and One User Combination
- Wrong Try Penalty
- UL Listed, Type 1
- Made In The USA

3260 Dual-Handed Swingbolt (*SAFEGARD*)

STANDARD FEATURES

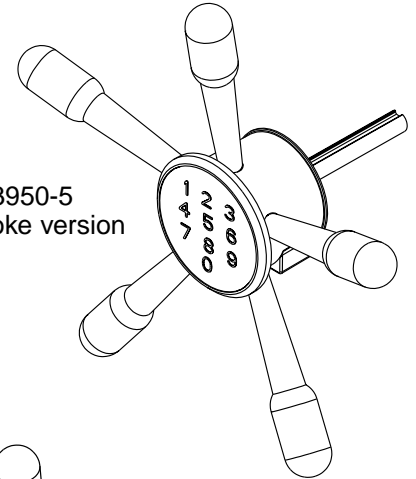
- Signal to Disable Lock
-Optional Alarm Box Required (*Sold Separately*)
- U.L. Listed, Type 1
- Made In The USA

3260 PROGRAMMABLE FEATURES

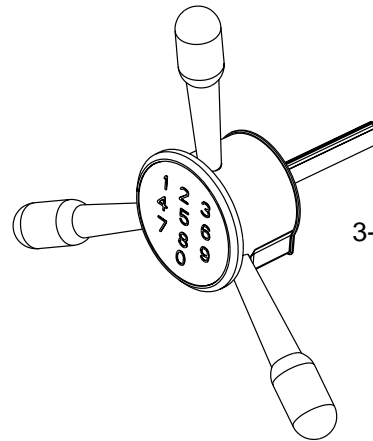
(*With Optional Hand-Held Programmer*)

- Manager Mode
- Second User
- Time Delay
-Delay Period: 1-99 minutes
-Open Period: 1-19 minutes
- Time Delay Override
- Dual Control
- Silent Signal Alarm
-Optional Alarm Box Required (*Sold Separately*)
- Remote Override Signal
-Optional Alarm Box Required (*Sold Separately*)

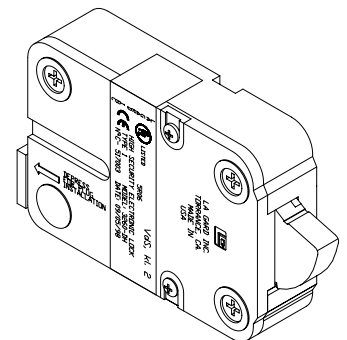
3950-5
5-spoke version



3950-3
3-spoke version



3765-2 or 3260



310-325-5670

Offices Located Worldwide



LA GARD, INC. 3330 Kashiwa Street, Torrance, CA 90505
Ph: 310-325-5670 Fax: 310-325-5615 Fax On Demand: 877-LAGARD2
Email: theone@lagard.com www.lagard.com