

LG BASIC

ELECTRONIC COMBINATION LOCK

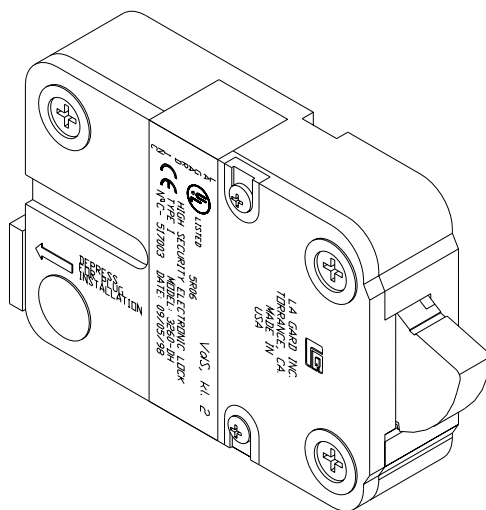
 LISTED



 **LAGARD**[®]

LG BASIC

ELECTRONIC COMBINATION LOCK



**3765 Dual-Handed
Swingbolt Lock - LG Basic**
MULTIPLE PATENTS PENDING



3710 Angular Round Entry
MULTIPLE PATENTS PENDING

STANDARD FEATURES

- Manager Mode
 - Manager and One User Combination
- Wrong Try Penalty
- Outside Battery Compartment
 - Located Under Input Housing
- One User-Supplied 9V Alkaline Battery
- Satin-Chrome Angular Input Housing
 - Brass Optional
- U.L. Listed
- Made in USA

310-325-5670

Offices Located Worldwide



LA GARD, INC. 3330 Kashiwa Street, Torrance, CA 90505
Ph: 310-325-5670 Fax: 310-325-5615 Fax On Demand: 877-LAGARD2
Email: theone@lagard.com www.lagard.com

LAGARD[®]

One Company... Endless Solutions

A MASCO Company NYSE MAS